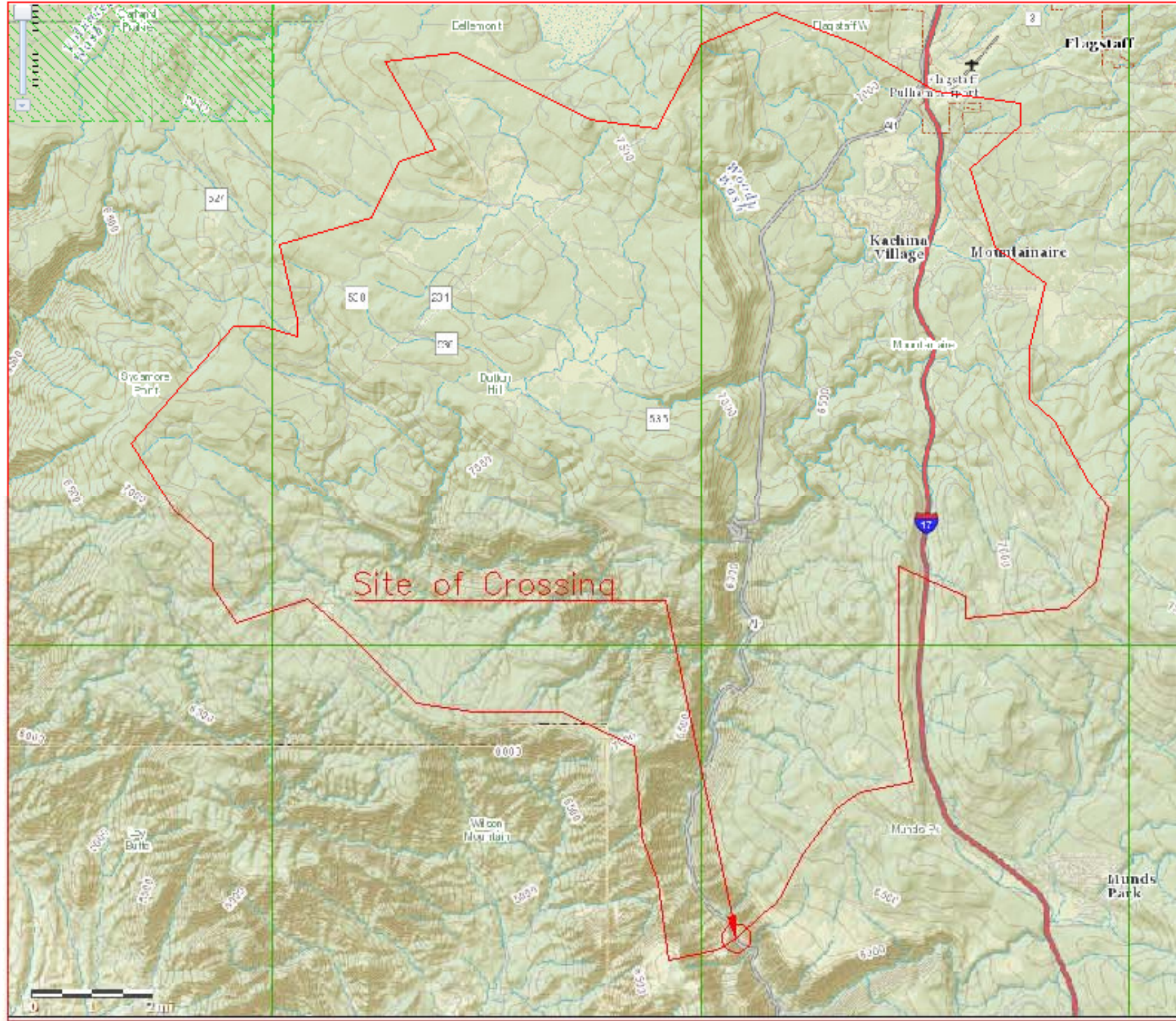
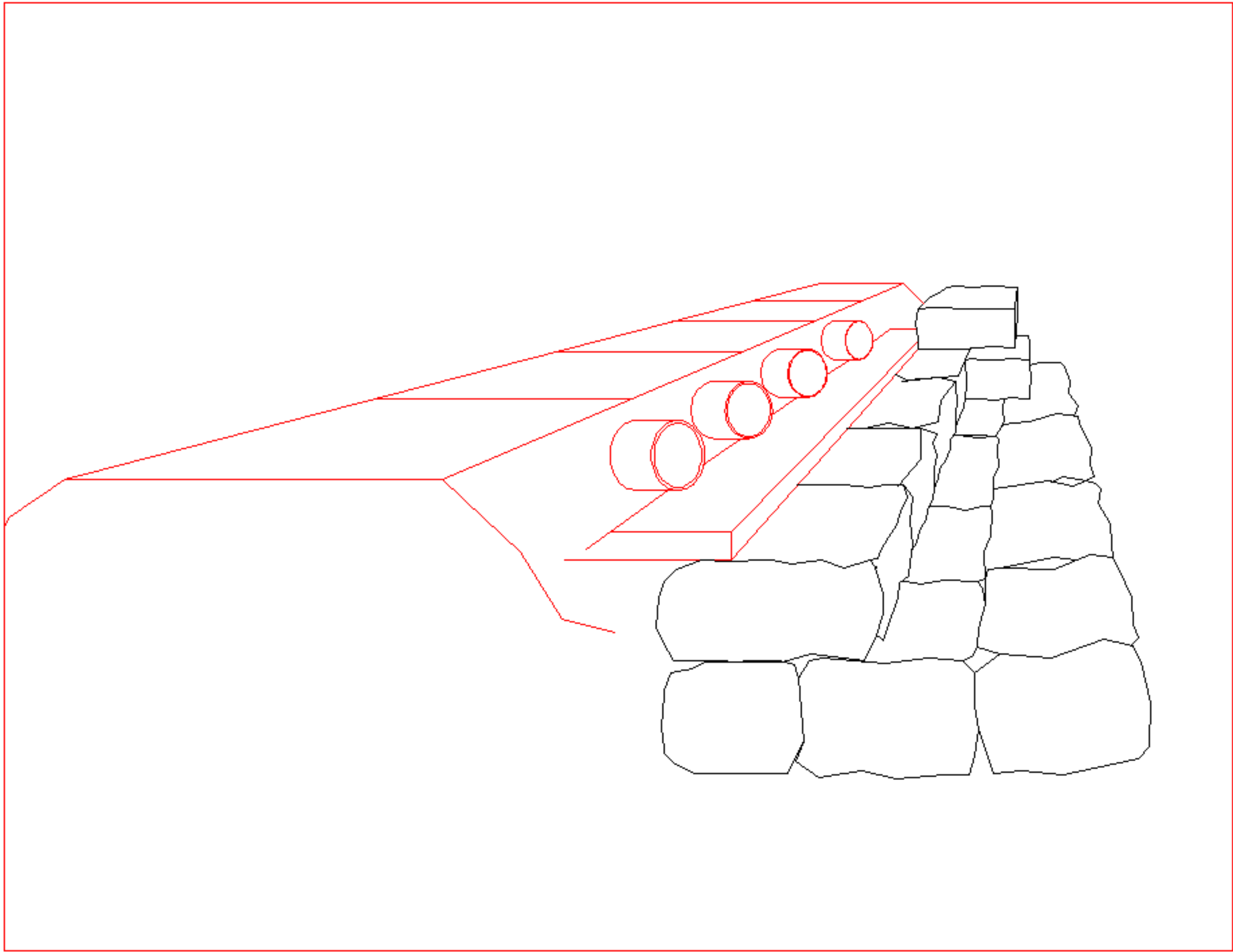


Shangri-La Subdivision Crossing			Crossing Topography		
No.	Revised/Issue	Date			
Team Name NAU Waterjacks					
Oak Creek Survey					
CENE488 4/15/2014 1"=80'			C		



Watershed Delineation		
Shangri-La Subdivision Crossing Study		
No.	Revision/Date	Date
Team Name NAU Waterjacks		
Shangri-La Delineation		
Project CENE469	Date 4/15/2014	Sheet C
Scale 1" = 2MILES		



Rock Armoring

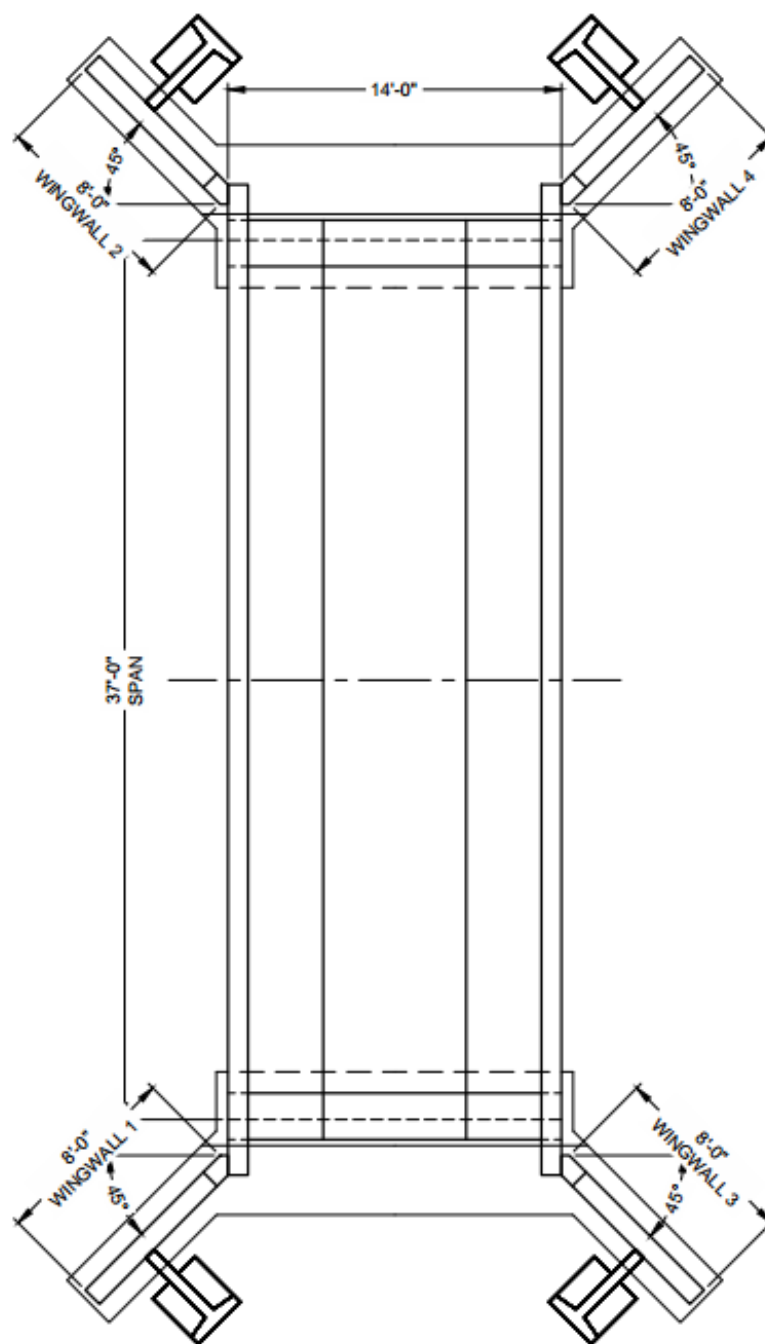
Shangri-La
Subdivision
Crossing Study

No.	Rev/Iss./Date	Date

Team Name
NAU Waterjacks

Armoring
Design

Project CDNE488	Type E
Date 4/16/2014	
Drawn HTS	



UPSTREAM

DOWNSTREAM

BRIDGE PLAN

DRAWING.DWG 3/18/2014 1:08 PM

The design and information shown on this drawing is provided as a service to the project owner, engineer and contractor by Contech Engineered Solutions LLC ("Contech"). Neither this drawing, nor any part thereof, may be used, reproduced or modified in any manner without the prior written consent of Contech. Failure to comply is done at the user's own risk and Contech expressly disclaims any liability or responsibility for such use.

If discrepancies between the supplied information upon which the drawing is based and actual field conditions are encountered as site work progresses, these discrepancies must be reported to Contech immediately for re-evaluation of the design. Contech accepts no liability for designs based on missing, incomplete or inaccurate information supplied by others.

CONTECH
ENGINEERED SOLUTIONS LLC
www.ContechES.com

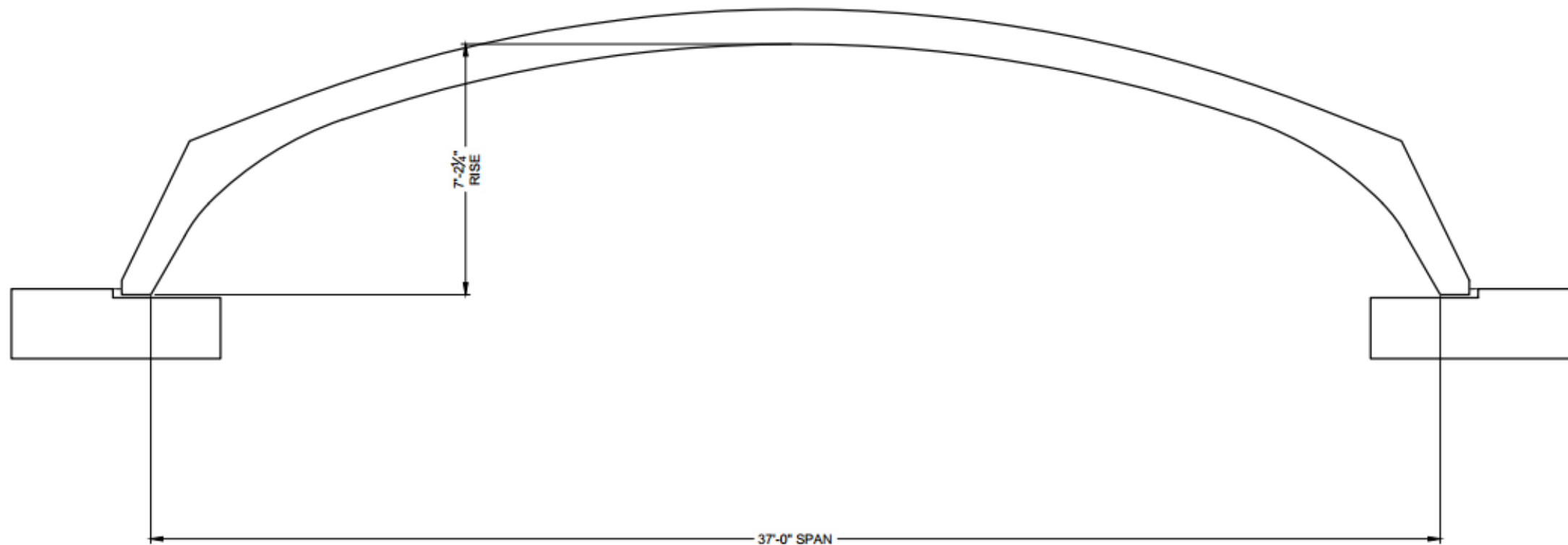
9025 Centre Pointe Dr., Suite 400, West Chester, OH 45069
800-338-1122 513-645-7000 513-645-7993 FAX

CON/SPAN
O-SERIES

CONTECH
DYOB
DRAWING

Shangra-La Subdivision
CON/SPAN O-Series O737 37'-0" Span x 7'-2 1/4" Rise
1 Cell - 14' Long
Sedona, Arizona

PROJECT No.: 202649	SEQ. No.:	DATE: 3/18/2014
DESIGNED: DYOB	DRAWN: DYOB	
CHECKED: DYOB	APPROVED: DYOB	
SHEET NO.: 1 of 5		



CROSS SECTION

DRAWING.DWG 3/18/2014 10:01 PM

The design and information shown on this drawing is provided as a service to the project owner, engineer and contractor by Contech Engineered Solutions LLC ("Contech"). Neither this drawing, nor any part thereof, may be used, reproduced or modified in any manner without the prior written consent of Contech. Failure to comply is done at the user's own risk and Contech expressly disclaims any liability or responsibility for such use.

If discrepancies between the supplied information upon which the drawing is based and actual field conditions are encountered as site work progresses, these discrepancies must be reported to Contech immediately for re-evaluation of the design. Contech accepts no liability for designs based on missing, incomplete or inaccurate information supplied by others.

CONTECH
ENGINEERED SOLUTIONS LLC

www.ContechES.com

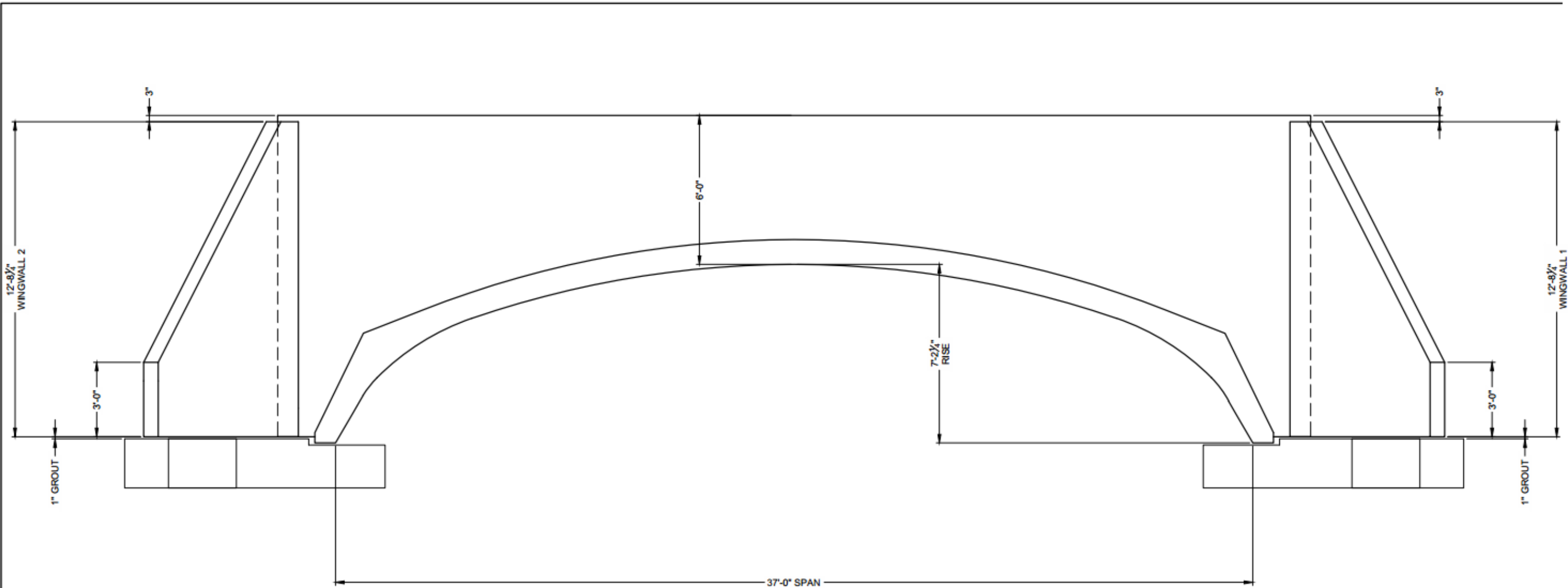
9025 Centre Pointe Dr., Suite 400, West Chester, OH 45069
800-338-1122 513-645-7000 513-645-7993 FAX



CONTECH
DYOB
DRAWING

Shangra-La Subdivision
CON/SPAN O-Series O737 37'-0" Span x 7'-2 1/4" Rise
1 Cell - 14' Long
Sedona, Arizona

PROJECT No.: 202649	SEQ. No.:	DATE: 3/18/2014
DESIGNED: DYOB	DRAWN: DYOB	
CHECKED: DYOB	APPROVED: DYOB	
SHEET NO.: 2 of 5		



UPSTREAM END ELEVATION

The design and information shown on this drawing is provided as a service to the project owner, engineer and contractor by Contech Engineered Solutions LLC ("Contech"). Neither this drawing, nor any part thereof, may be used, reproduced or modified in any manner without the prior written consent of Contech. Failure to comply is done at the user's own risk and Contech expressly disclaims any liability or responsibility for such use.

If discrepancies between the supplied information upon which the drawing is based and actual field conditions are encountered as site work progresses, these discrepancies must be reported to Contech immediately for re-evaluation of the design. Contech accepts no liability for designs based on missing, incomplete or inaccurate information supplied by others.



www.ContechES.com
 9025 Centre Pointe Dr., Suite 400, West Chester, OH 45069
 800-338-1122 513-645-7000 513-645-7993 FAX

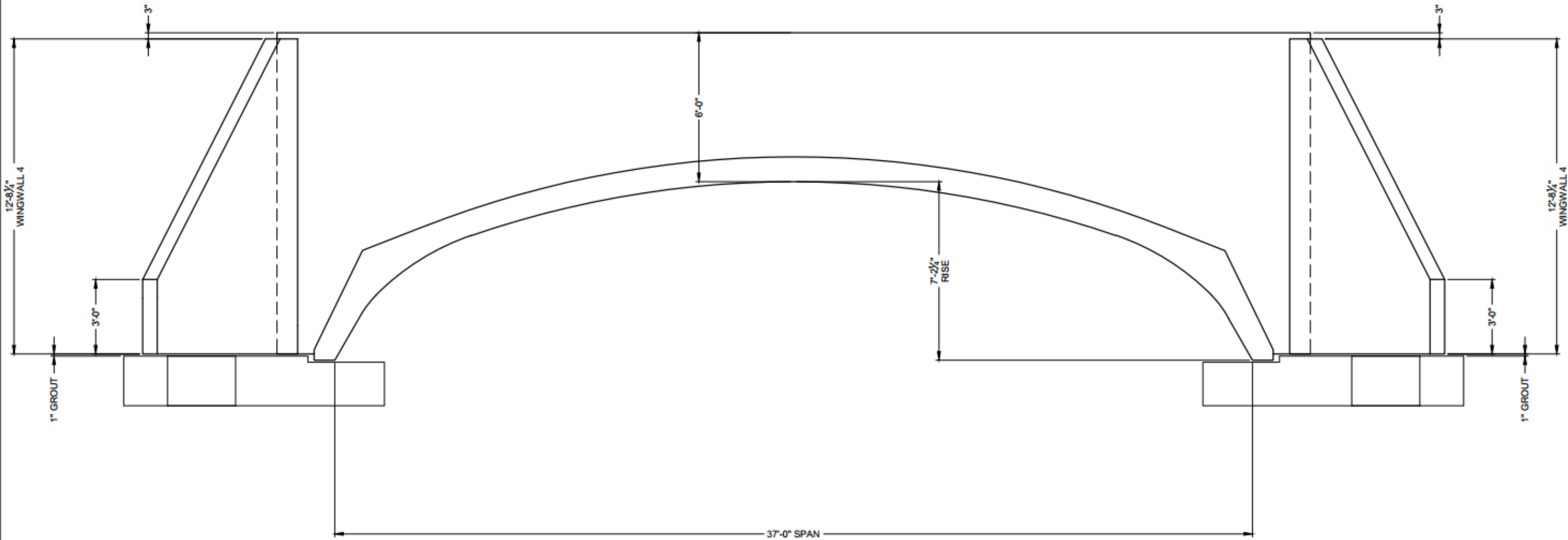


CONTECH
 DYOB
 DRAWING

Shangra-La Subdivision
 CON/SPAN O-Series O737 37'-0" Span x 7'-2 1/4" Rise
 1 Cell - 14' Long
 Sedona, Arizona

PROJECT No: 202649	SEQ. No.:	DATE: 3/18/2014
DESIGNED: DYOB	DRAWN: DYOB	
CHECKED: DYOB	APPROVED: DYOB	
SHEET NO.: 3 of 5		

DRAWING: DWG 3/18/2014 1:08 PM



DOWNSTREAM END ELEVATION

DRAWING LONG 3/18/2014 5:58 PM

The design and information shown on this drawing is provided as a service to the project owner, engineer and contractor by Contech Engineered Solutions LLC ("Contech"). Neither this drawing, nor any part thereof, may be used, reproduced or modified in any manner without the prior written consent of Contech. Failure to comply is done at the user's own risk and Contech expressly disclaims any liability or responsibility for such use.

If discrepancies between the supplied information upon which the drawing is based and actual field conditions are encountered as site work progresses, these discrepancies must be reported to Contech immediately for re-evaluation of the design. Contech accepts no liability for designs based on missing, incomplete or inaccurate information supplied by others.



 www.ContechES.com

9025 Centre Pointe Dr., Suite 400, West Chester, OH 45069
 800-338-1122 513-645-7000 513-645-7993 FAX



 CONTECH
 DYOB
 DRAWING

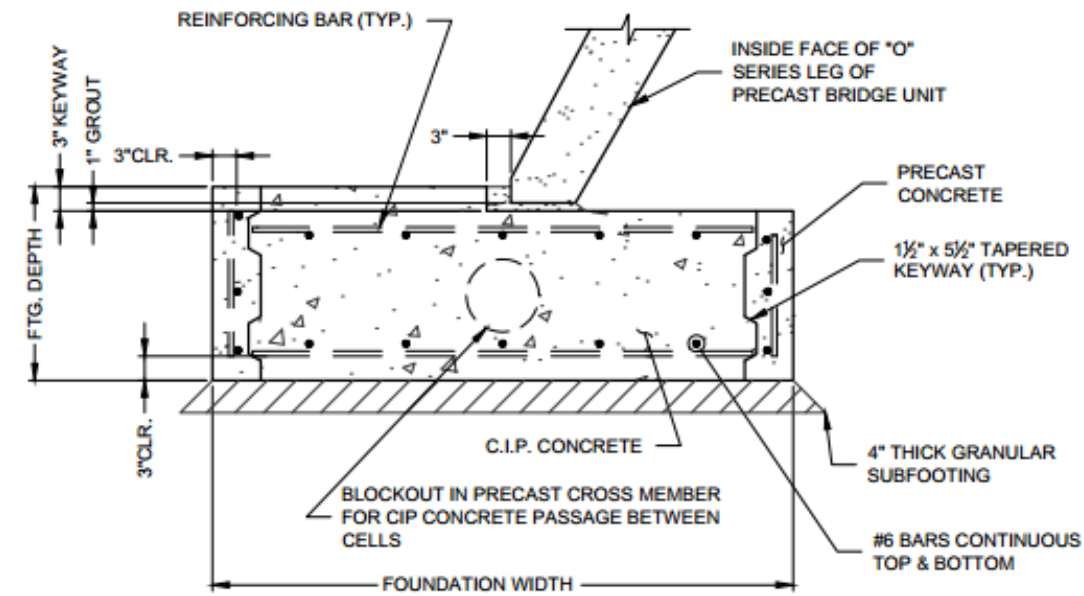
Shangra-La Subdivision
 CON/SPAN O-Series O737 37'-0" Span x 7'-2 1/4" Rise
 1 Cell - 14' Long
 Sedona, Arizona

PROJECT No: 202649	SEQ. No.:	DATE: 3/18/2014
DESIGNED: DYOB	DRAWN: DYOB	
CHECKED: DYOB	APPROVED: DYOB	
SHEET NO.:		
4 of 5		

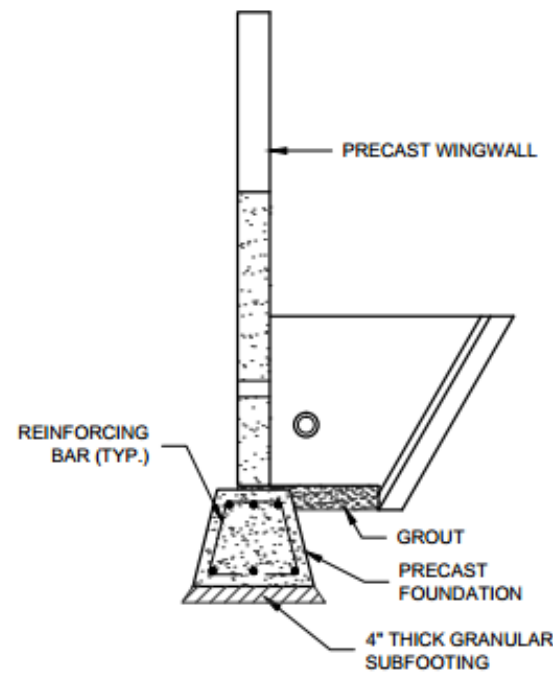
SAMPLE DRAWING ONLY

EXPRESS FOUNDATIONS

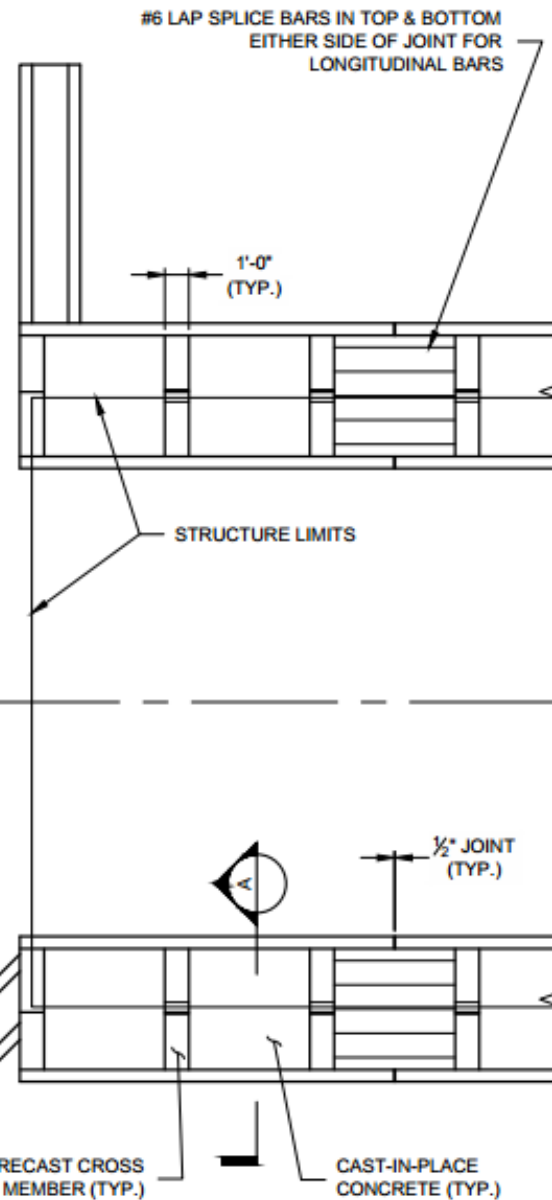
EXPRESS FOUNDATIONS



SECTION A
(NOT PROJECT SPECIFIC)



SECTION B
(NOT PROJECT SPECIFIC)



SAMPLE PARTIAL FOUNDATION PLAN
(NOT PROJECT SPECIFIC)

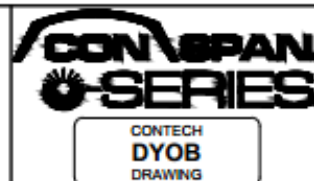


The design and information shown on this drawing is provided as a service to the project owner, engineer and contractor by Contech Engineered Solutions LLC ("Contech"). Neither this drawing, nor any part thereof, may be used, reproduced or modified in any manner without the prior written consent of Contech. Failure to comply is done at the user's own risk and Contech expressly disclaims any liability or responsibility for such use.

If discrepancies between the supplied information upon which the drawing is based and actual field conditions are encountered as site work progresses, these discrepancies must be reported to Contech immediately for re-evaluation of the design. Contech accepts no liability for designs based on missing, incomplete or inaccurate information supplied by others.



9025 Centre Pointe Dr., Suite 400, West Chester, OH 45069
800-338-1122 513-645-7000 513-645-7993 FAX



Shangra-La Subdivision
CON/SPAN O-Series O737 37'-0" Span x 7'-2 1/4" Rise
1 Cell - 14' Long
Sedona, Arizona

PROJECT No.: 202649	SEQ. No.:	DATE: 3/18/2014
DESIGNED: DYOB	DRAWN: DYOB	
CHECKED: DYOB	APPROVED: DYOB	
SHEET NO.: 5 of 5		